

For Hinge

# OS Washer

Metal washer for hinge which is coated with a solid lubricant to improve the sliding function significantly.



## High heat resistance

- Heat resistant 600 °C
- Not affected by Brazing, Plating

## Excellent chemical resistance

- Strong against nitric acid and hydrofluoric acid

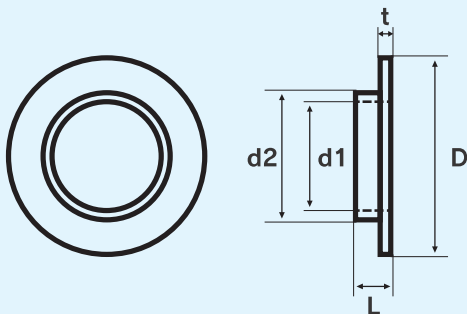
## Safe

- Passed food sanitation standard

## Enjoy stress free and comfortableness

- Smooth opening and closing of temples
- No stress of temple looseness
- Long-lasting

Regular size in stock



| Material     |               | Nickel silver |               |               |
|--------------|---------------|---------------|---------------|---------------|
| Diameter (D) | Thickness (t) | Length (L)    | Diameter (d2) | Diameter (d1) |
| 2.8          | 0.1           | 0.45          | 1.58          | 1.42          |
| 2.8          | 0.1           | 0.45          | 1.78          | 1.42          |

● Screws other than those listed above are also available. Please feel free to contact us.