

polyoxymethylene (aka polyacetal)

# POM Hinge Washer

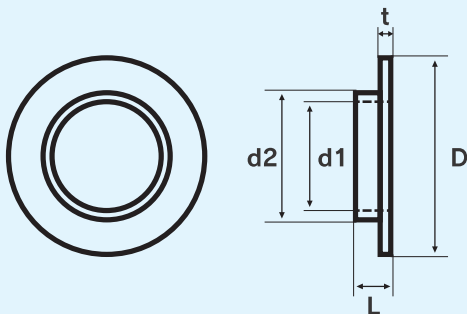
Miraculous hinge washer excellent in self lubricity!



## Enjoy stress free and comfortableness

- Smooth opening and closing of temples
- No stress of temple looseness
- Long-lasting

Regular size in stock



Material		POM		
Diameter (D)	Thickness (t)	Thickness (t)	Diameter (d2)	Diameter (d1)
2.8	0.1	0.5	1.6	1.35
2.8	0.1	0.55	1.8	1.4